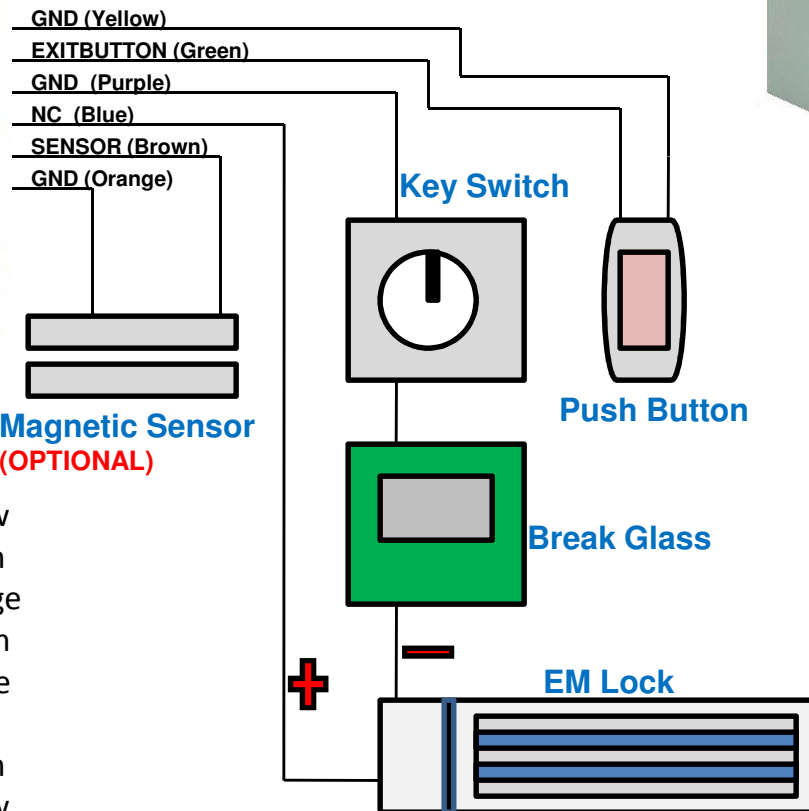
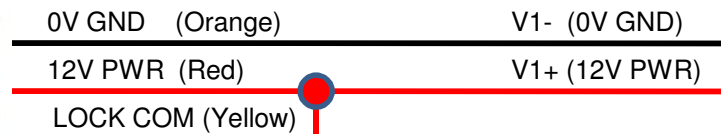


WIRING DIAGRAM

VA 808 Fingerprint Reader

Normal Power Supply (12VDC @ 3Amp)



Magnetic Sensor
(OPTIONAL)

Key Switch

Push Button

Break Glass

EM Lock

Connector 10 pin

Gnd	-	Yellow
ExitButton	-	Green
Gnd	-	Orange
Sensor	-	Brown
Gnd	-	Purple
Lock. NC	-	Blue
Lock. NO	-	Green
Lock. Com	-	Yellow
12V – Gnd	-	Orange
12V+ In	-	Red

VA 808 Reader

(Direct connection with existing cable provided) **SWITCH OFF POWER BEFORE CONNECTING**